

State of Wyoming Corner Record

(In compliance with the **CORNER PERPETUATION AND FILING ACT**, Wyoming Statutes, 1997 Section 33-29-140 et. seq., and the Rules and Regulations of the Board of Professional Engineers and Professional Land Surveyors)

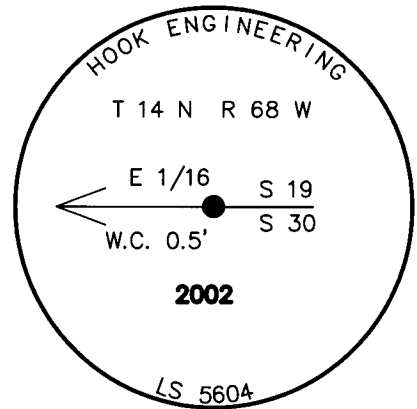
Reverse side of this form may be used if more space is needed.

Record of original survey and citation of source of historical information (if corner is lost or obliterated). Description of corner monumentation evidence found and/or monument and accessories established to perpetuate the location of this corner. Sketch of relative location of monument, accessories, and reference points with course and distance to adjacent corner(s) (if determined in this survey). Method and rationale for reestablishment of lost or obliterated corner.

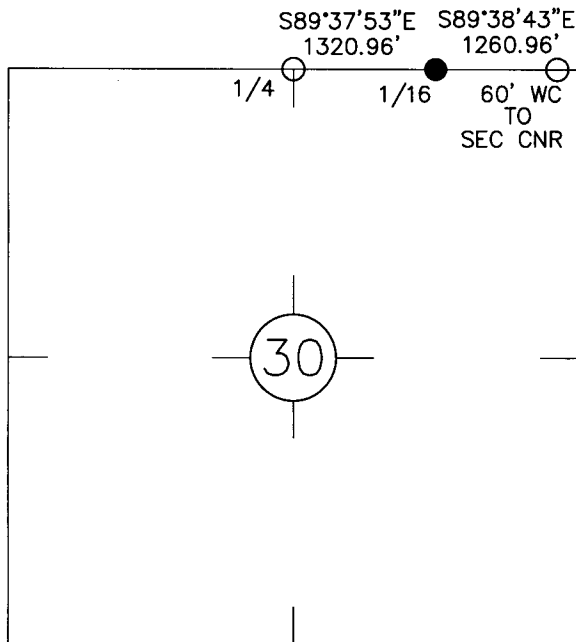


RECORDED 9/12/2002 AT 2:59 PM REC# 330760 JK# 1670 PG# 1123
 DEBRA K. LATHROP, CLERK OF LARAMIE COUNTY, WY PAGE 1 OF 1

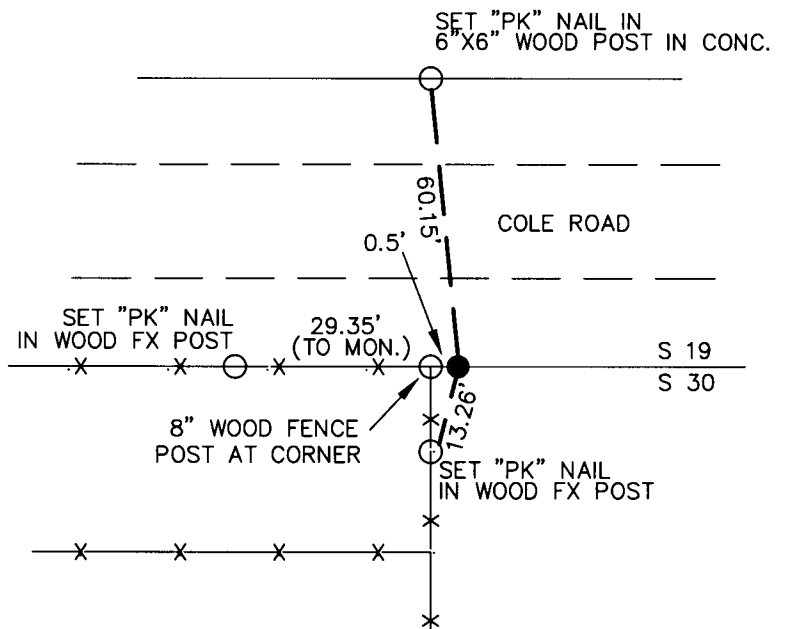
FOUND: 2" BRASS CAP ON A
 2" IRON PIPE STAMPED "E1/16 S19/30 LS519".
 MONUMENT DESTROYED BY CONSTRUCTION.
 SET 2" ALUMINUM CAP ON A 5/8" REBAR 24" LONG
 AS WITNESS TO CORNER. STAMPED AS SHOWN.
 8" WOOD FENCE POST OCCUPIES CORNER.



Monument location



Monument Inscription



Date of Field Work: 7/31/02

Office Reference: 200060

Cross Index Plat

	1	2	3	4	5	6	7	8	9	10	11	12	13	14	15	16	17	18	19	20	21	22	23	24	25
A	+	+	+	+	+	+	+	+	+	+	+	+	+	+	+	+	+	+	+	+	+	+	+	+	+
B	+	+	+	+	+	+	+	+	+	+	+	+	+	+	+	+	+	+	+	+	+	+	+	+	+
C	+	6	+	+	5	+	+	+	+	4	+	+	+	+	3	+	+	+	+	+	+	+	+	+	+
D	+	+	+	+	+	+	+	+	+	+	+	+	+	+	+	+	+	+	+	+	+	+	+	+	+
E	+	+	+	+	+	+	+	+	+	+	+	+	+	+	+	+	+	+	+	+	+	+	+	+	+
F	+	+	+	+	+	+	+	+	+	+	+	+	+	+	+	+	+	+	+	+	+	+	+	+	+
G	+	+	7	+	+	8	+	+	+	9	+	+	+	+	10	+	+	+	+	+	+	+	+	+	+
H	+	+	+	+	+	+	+	+	+	+	+	+	+	+	+	+	+	+	+	+	+	+	+	+	+
J	+	+	+	+	+	+	+	+	+	+	+	+	+	+	+	+	+	+	+	+	+	+	+	+	+
K	+	+	+	+	+	+	+	+	+	+	+	+	+	+	+	+	+	+	+	+	+	+	+	+	+
L	+	+	18	+	+	17	+	+	+	16	+	+	+	+	15	+	+	+	+	+	+	+	+	+	+
M	+	+	+	+	+	+	+	+	+	+	+	+	+	+	+	+	+	+	+	+	+	+	+	+	+
N	+	+	+	+	+	+	+	+	+	+	+	+	+	+	+	+	+	+	+	+	+	+	+	+	+
O	+	+	+	+	+	+	+	+	+	+	+	+	+	+	+	+	+	+	+	+	+	+	+	+	+
P	+	+	19	+	+	20	+	+	+	21	+	+	+	+	22	+	+	+	+	+	+	+	+	+	+
Q	+	+	+	+	+	+	+	+	+	+	+	+	+	+	+	+	+	+	+	+	+	+	+	+	+
R	+	+	+	+	+	+	+	+	+	+	+	+	+	+	+	+	+	+	+	+	+	+	+	+	+
S	+	+	30	+	+	29	+	+	+	28	+	+	+	+	27	+	+	+	+	+	+	+	+	+	+
T	+	+	+	+	+	+	+	+	+	+	+	+	+	+	+	+	+	+	+	+	+	+	+	+	+
U	+	+	+	+	+	+	+	+	+	+	+	+	+	+	+	+	+	+	+	+	+	+	+	+	+
V	+	+	+	+	+	+	+	+	+	+	+	+	+	+	+	+	+	+	+	+	+	+	+	+	+
W	+	+	+	+	+	+	+	+	+	+	+	+	+	+	+	+	+	+	+	+	+	+	+	+	+
X	+	+	31	+	+	32	+	+	+	33	+	+	+	+	34	+	+	+	+	+	+	+	+	+	+
Y	+	+	+	+	+	+	+	+	+	+	+	+	+	+	+	+	+	+	+	+	+	+	+	+	+
Z	+	+	+	+	+	+	+	+	+	+	+	+	+	+	+	+	+	+	+	+	+	+	+	+	+
	1	2	3	4	5	6	7	8	9	10	11	12	13	14	15	16	17	18	19	20	21	22	23	24	25

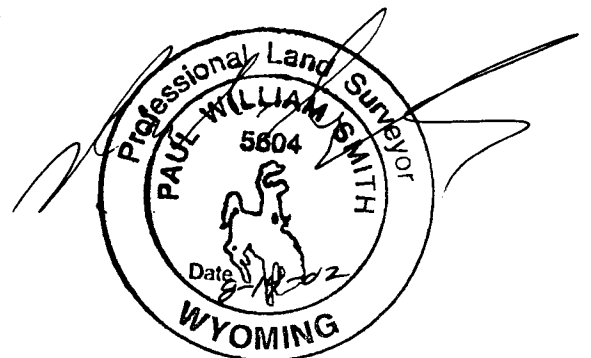
Firm/Agency, Address

Hook Engineering, Inc.
5801 Osage Ave.
Cheyenne, Wyo. 82009

This corner record was prepared by me or under my direction and supervision.

SEAL & SIGNATURE

Telephone Number: 307-632-3138



Corner Name East 1/16 Corner Section 30, T 14 N, R 68 W, 6th P.M.
 County: LARAMIE Wyoming

Cross-Index No.: R-4